

## PRODUCT INFORMATION

---



Firgelli Automations, 3888 Sound Way, Bellingham, WA 98227 USA

Tel, 604-542-8945

Fax 1 866 226-1649

Email [sales@firgelliauto.com](mailto:sales@firgelliauto.com)

[www.FirgelliAuto.com](http://www.FirgelliAuto.com)

---



- Low noise design
- Enhanced corrosion resistance
- Aluminum outer and inner tube
- Zinc alloy housing
- Powder metal gears
- Lubrication for longer life
- Small compact Design
- Lowest Price on the planet

### Specification

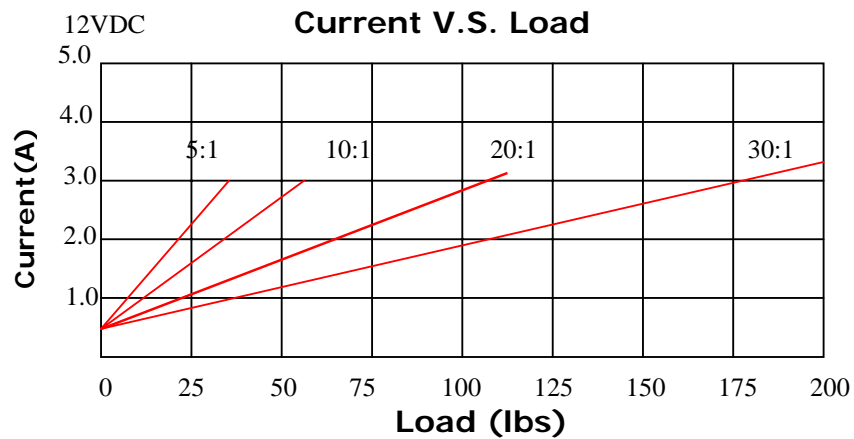
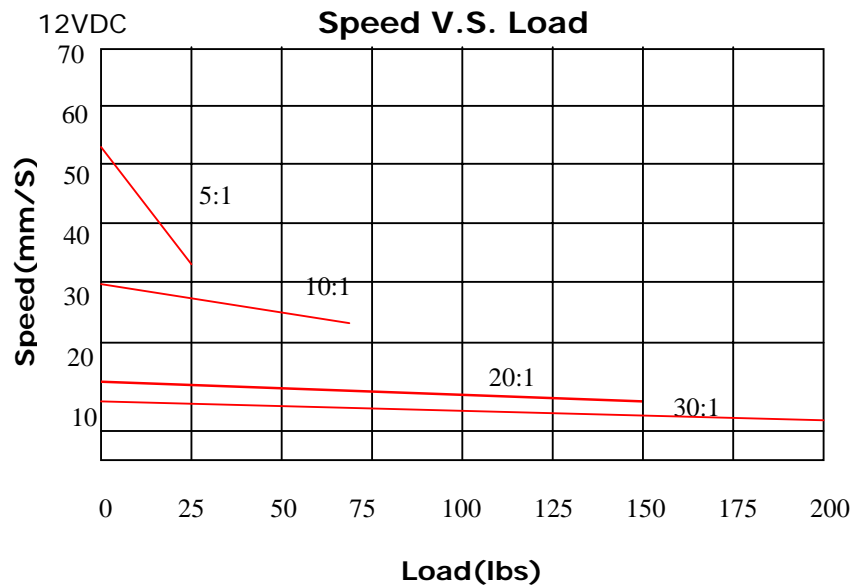
Model	FA-35 High Speed	FA-70 Standard Speed	FA-150 Standard Force	FA-240 High Force
Input Voltage	12 VDC 5Amp current draw at full load			
Load Capacity	35lbs	57 lbs	150 lbs	200 lbs
Static Load	2300N (522 lbs)			
Stroke Length	1" to 28"			
Speed at No Load	2"/sec	1"/sec	0.5"/sec	0.3"/sec
Clevis Ends	1/4" dia			
Screw	ACME screw			
Gear Ratio	5:1	10:1	20:1	30:1
Duty Cycle	25%			
Operation Temperature Range	-26°C~65°C (-15°F~150°F)			
Limit Switch	Built-in (Factory Preset)			
IP Grade	IP54			

---

# PRODUCT INFORMATION

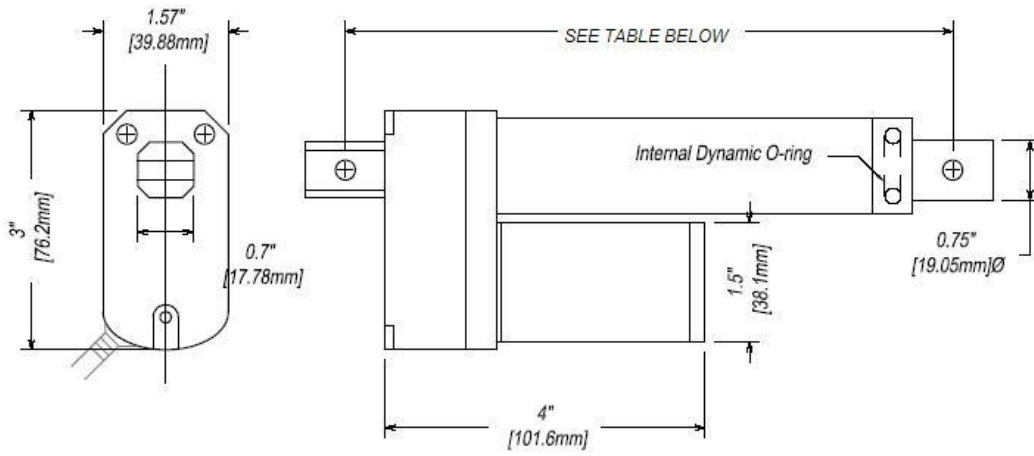
---

## The Load Coordinate Drawing



# PRODUCT INFORMATION

## Dimensions:



① FRONT

② SIDE

HOLE TO HOLE DIMENSIONS		
STROKE SIZE (INCHES)	COLLAPSED LENGTH (INCHES)	EXTENDED LENGTH (INCHES)
2	6.3	8.3
3	7.3	10.3
4	8.3	12.3
6	10.3	16.3
8	12.3	20.3
9	13.3	22.3
10	14.3	24.3
12	16.3	28.3
18	22.3	40.3
24	28.3	52.3

ACTUATOR DIMENSION